

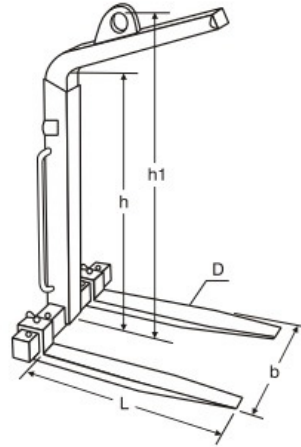


RPHA pallet hooks with automatic balancing

V

Properties

- Adjustable loading forks.
- Height adjustment.
- Minimum load 20-25% of total safe capacity.



type	ref. no.	safe working load (kg)	fork length L (mm)	maximum headroom h1 (mm)	efficient height h (mm)	diameter lifting eye (mm)	fork range b (mm)	fork b x d D (mm)	weight (kg)
RPHA-1	3259010	1000	1000	1420-1920	1100-1600	100 x 80	350 - 900	100 x 30	140
RPHA-2	3259020	2000	1000	1655-2355	1300-2000	100 x 80	400 - 900	120 x 40	220
RPHA-3	3259030	3000	1000	1720-2420	1300-2000	120 x 100	450 - 900	120 x 50	280
RPHA-5	3259050	5000	1000	1710-2410	1300-2000	136 x 120	530 -1000	150 x 60	380