



### CNMH horizontal lifting clamp

H

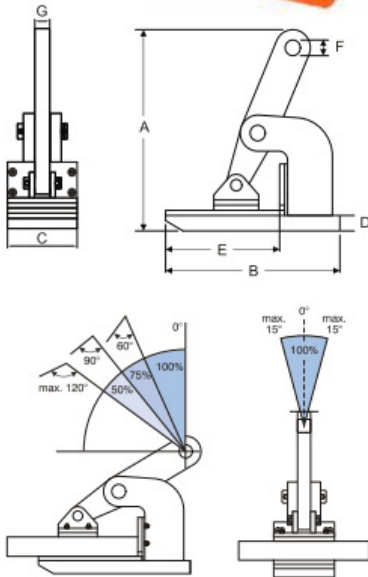
REMA horizontal clamps are used for safe transportation of flat plates, where the surface may not be damaged, e.g. SS, aluminium, wood etc.

The clamping jaw and the clamp's bed are covered with a high quality pressure resistant plastic.

Clamps can be supplied with a capacity of 1,000 up to 6,000 kg per year.

#### Application

- For horizontal transportation of SS plates, various wood panels, aluminium, etc.



type	ref.no.	safety working load per pair (kg)	jaw opening (mm)	dimensions mm							weights per pair (kg)
				A	B	C	D	E	F	G	
CNMH-1	3366001	1.000	0 - 25	154	140	65	15	95	20.0	15	7.0
CNMH-2	3366002	2.000	0 - 45	270	225	90	23	150	30.5	15	18.0
CNMH-3	3366003	3.000	0 - 45	275	225	90	28	160	30.5	15	26.0
CNMH-4	3366004	4.000	0 - 50	305	250	105	28	160	30.5	20	32.0
CNMH-6	3366006	6.000	0 - 50	310	250	120	33	160	30.5	20	34.0

Safe working load when used under different angles

